

detay  
LIGHTING

2024 ROAD LIGHTING CATALOG



# detay LIGHTING

Established in 1993 in Istanbul, Detay Lighting operates in the production, sales and export of LED lighting luminaires. Detay Lighting continues its lighting journey with the vision of becoming one of the most successful companies in the lighting industry by increasing its brand value day by day.

The professional management staff, continuously developed sales channels, technical project network and the continuity of training of the sales team make a great contribution to this success.

At the same time, Detay Lighting, which provides services in the project department with its professional team of engineers and technicians, evaluates the projects on site and offers consultancy services to its customers in training and related fields.





## LEGEND



### BODY

Aluminium injection body, electrostatic powder coated, 4mm tempered glass, spirit level, circuit breaker, Ø42-60mm adjustable console, separate led module and tool-free accessible driver.

### LED

100.000 hours LED lifetime according to LM-80 and TM-21 report.

### DRIVER

Constant current output, With 90% efficiency, Effective power factor regulation that is not affected by fluctuations in grid voltage, ENEC certified IP67 driver.

### LENS

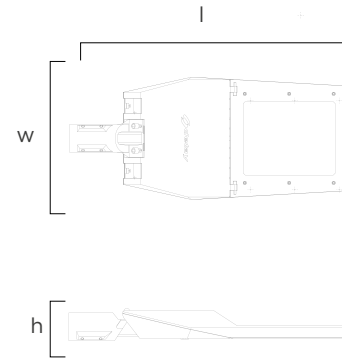
Resistant to UV rays, 93% optically efficient PMMA material lens.

### PCB

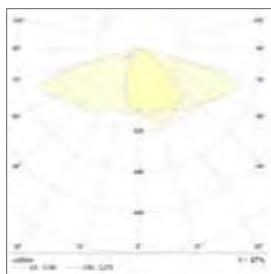
Aluminum PCB, Aluminum Base Layer / Thickness: 1L / 1.6mm.  
Copper Thickness: 1 OZ, HASL surface coating.

### OPTIONS

Dimmable, programmable, DALI driver, photocell, nema socket, SPD, IP68 Connector.



## TECHNICAL SPECIFICATIONS



### RAL CODES

Standard	Optional	Optional
RAL 7016	RAL 9016	RAL 9022

### ASYMMETRIC



Product Code	Power	Lumen	Color Temperature	Dimensions l w h (mm)	Weight
DTY.001	75W	9750	3000-4000-6500K	679x292x68	5,5 kg
	100W	13000	3000-4000-6500K	679x292x68	5,7 kg
	125W	16250	3000-4000-6500K	679x292x68	6,2 kg
	150W	19500	3000-4000-6500K	679x292x68	6,2 kg



## HARE



### BODY

Aluminium injection body, electrostatic powder coated, 4mm tempered glass, spirit level, circuit breaker, Ø42-60mm adjustable console, separate led module and tool-free accessible driver.

### LED

100.000 hours LED lifetime according to LM-80 and TM-21 report.

### DRIVER

Constant current output, With 90% efficiency, Effective power factor regulation that is not affected by fluctuations in grid voltage, ENEC certified IP67 driver.

### LENS

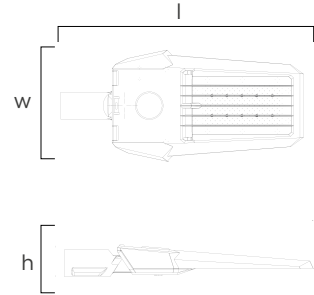
Resistant to UV rays, 93% optically efficient PMMA material lens.

### PCB

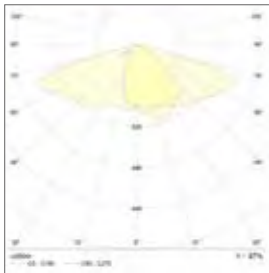
Aluminum PCB, Aluminum Base Layer / Thickness: 1L / 1.6mm.  
Copper Thickness: 1 OZ, HASL surface coating.

### OPTIONS

Dimmable, programmable, DALI driver, photocell, nema socket, SPD, IP68 Connector.



## TECHNICAL SPECIFICATIONS



### RAL CODES

Standard	Optional	Optional
RAL 7016	RAL 9016	RAL 9022

### ASYMMETRIC



Product Code	Power	Lumen	Color Temperature	Dimensions l w h (mm)	Weight
DTY.002	200W	26000	3000-4000-6500K	793x337x70	6,5 kg
	240W	31200	3000-4000-6500K	793x337x70	6,6 kg



## FERİS



### BODY

Aluminium injection body, electrostatic powder coated, 4mm tempered glass, spirit level, circuit breaker, Ø42-60mm adjustable console, separate led module and tool-free accessible driver.

### LED

100.000 hours LED lifetime according to LM-80 and TM-21 report.

### DRIVER

Constant current output, With 90% efficiency, Effective power factor regulation that is not affected by fluctuations in grid voltage, ENEC certified IP67 driver.

### LENS

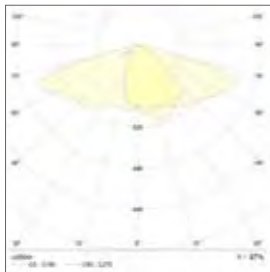
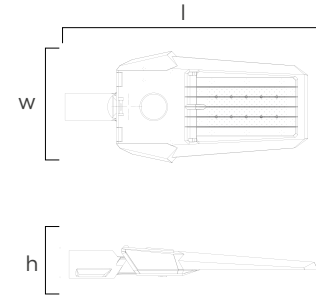
Resistant to UV rays, 93% optically efficient PMMA material lens.

### PCB

Aluminum PCB, Aluminum Base Layer / Thickness: 1L / 1.6mm.  
Copper Thickness: 1 OZ, HASL surface coating.

### OPTIONS

Dimmable, programmable, DALI driver, photocell, nema socket, SPD, IP68 Connector.



### RAL CODES

Standard	Optional	Optional
RAL 7016	RAL 9016	RAL 9022

### ASYMMETRIC



Product Code	Power	Lumen	Color Temperature	Dimensions l w h (mm)	Weight
DTY.003	60W	7800	3000-4000-6500K	609x279x76	4 kg
	75W	9750	3000-4000-6500K	609x279x76	4 kg
	100W	13000	3000-4000-6500K	609x279x76	4 kg
	125W	16250	3000-4000-6500K	609x279x76	4 kg
	150W	19500	3000-4000-6500K	609x279x76	4 kg



ZORA



**BODY**  
Aluminium injection body, electrostatic powder coated, 4mm tempered glass, spirit level, Ø42-60mm adjustable console.

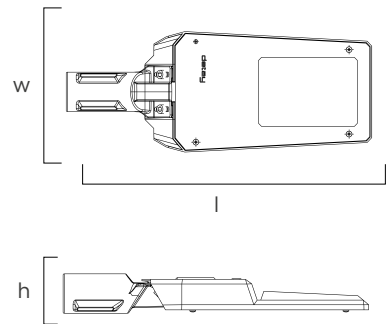
**LED**  
100.000 hours LED lifetime according to LM-80 and TM-21 report.

**DRIVER**  
Constant current output, With 90% efficiency, Effective power factor regulation that is not affected by fluctuations in grid voltage, ENEC certified IP67 driver.

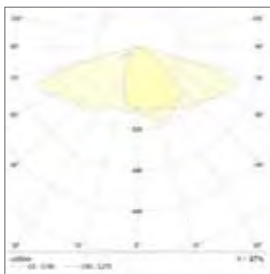
**LENS**  
Resistant to UV rays, 93% optically efficient PMMA material lens.

**PCB**  
Aluminum PCB, Aluminum Base Layer / Thickness: 1L / 1.6mm.  
Copper Thickness: 1 OZ, HASL surface coating.

**OPTIONS**  
Dimmable, programmable, DALI driver, photocell, nema socket, IP68 Connector, SPD.



TECHNICAL SPECIFICATIONS



RAL CODES

Standard	Optional	Optional
RAL 7016	RAL 9016	RAL 9022

ASYMMETRIC



Product Code	Power	Lumen	Color Temperature	Dimensions l w h (mm)	Weight
DTY.004	60W	7200	3000-4000-6500K	519x172x67	3,5 kg
	75W	9000	3000-4000-6500K	519x172x67	3,5 kg
	100W	12000	3000-4000-6500K	519x172x67	3,5 kg
	125W	15000	3000-4000-6500K	573x264x67	4 kg
	150W	18000	3000-4000-6500K	573x264x67	4 kg





## NERA



### BODY

Aluminium injection body, electrostatic powder coated, 4mm tempered glass, spirit level, Ø42-60mm fixed console.

### LED

100.000 hours LED lifetime according to LM-80 and TM-21 report.

### DRIVER

Constant current output, With 90% efficiency, Effective power factor regulation that is not affected by fluctuations in grid voltage, ENEC certified IP67 driver.

### LENS

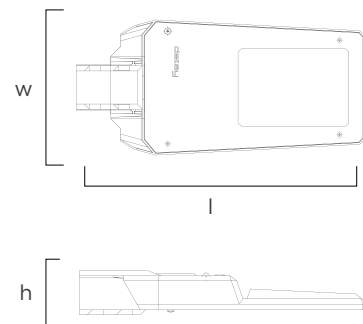
Resistant to UV rays, 93% optically efficient PMMA material lens.

### PCB

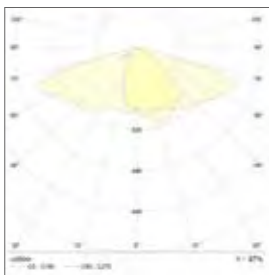
Aluminum PCB, Aluminum Base Layer / Thickness: 1L / 1.6mm.  
Copper Thickness: 1 OZ, HASL surface coating.

### OPTIONS

Dimmable, programmable, DALI driver, photocell, nema socket, IP68 Connector, SPD.



## TECHNICAL SPECIFICATIONS



### RAL CODES

Standard	Optional	Optional
RAL 7016	RAL 9016	RAL 9022

### ASYMMETRIC



Product Code	Power	Lumen	Color Temperature	Dimensions l w h (mm)	Weight
DTY.005	60W	7200	3000-4000-6500K	438x205x67	3,5 kg
	75W	9000	3000-4000-6500K	438x205x67	3,5 kg
	100W	12000	3000-4000-6500K	438x205x67	3,5 kg
	125W	15000	3000-4000-6500K	501x265x67	4 kg
	150W	18000	3000-4000-6500K	501x265x67	4 kg



AYZA



**BODY**

Aluminium injection body, electrostatic powder coated, 4mm tempered glass, Ø42-48mm fixed console, seperate led module and tool-free accessible driver.

**LED**

100.000 hours LED lifetime according to LM-80 and TM-21 report.

**DRIVER**

Constant current output, With 88% efficiency, Effective power factor regulation that is not affected by fluctuations in grid voltage, ENEC certified IP67 driver.

**LENS**

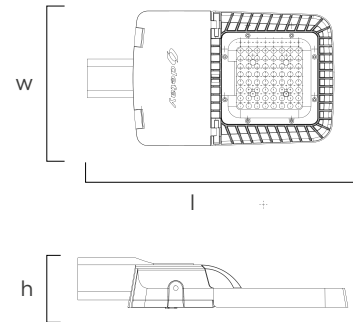
Resistant to UV rays, 93% optically efficient PMMA material lens.

**PCB**

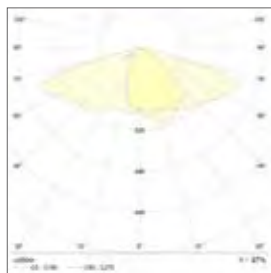
Aluminum PCB, Aluminum Base Layer / Thickness: 1L / 1.6mm. Copper Thickness: 1 OZ,HASL surface coating.

**OPTIONS**

Dimmable, programmable, DALI driver, photocell, nema socket, SPD, IP68 Connector.



TECHNICAL SPECIFICATIONS



**RAL CODES**

Standard	Optional	Optional
RAL 7016	RAL 9016	RAL 9022

**ASYMMETRIC**



Product Code	Power	Lumen	Color Temperature	Dimensions l w h (mm)	Weight
DTY.006	25W	3250	3000-4000-6500K	372x212x67	2,2 kg
	50W	6500	3000-4000-6500K	372x212x67	2,2 kg
	60W	7800	3000-4000-6500K	372x212x67	2,2 kg



## PALMA



### BODY

Aluminium injection body, electrostatic powder coated, 4mm tempered glass, spirit level, Ø42-48mm fixed console.

### LED

100.000 hours LED lifetime according to LM-80 and TM-21 report.

### DRIVER

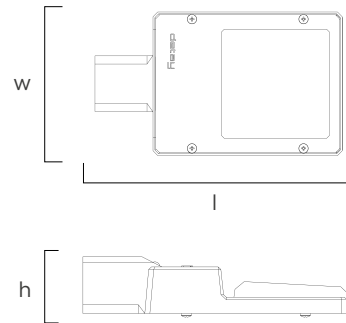
Constant current output, With 88% efficiency, Effective power factor regulation that is not affected by fluctuations in grid voltage.

### LENS

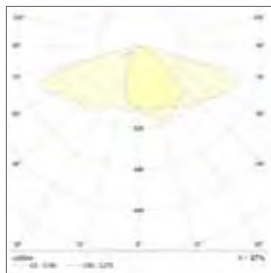
Resistant to UV rays, 93% optically efficient PMMA material lens.

### PCB

Aluminum PCB, Aluminum Base Layer / Thickness: 1L / 1.6mm. Copper Thickness: 1 OZ,HASL surface coating.



## TECHNICAL SPECIFICATIONS



### RAL CODES

Standard	Optional	Optional
RAL 7016	RAL 9016	RAL 9022

### ASYMMETRIC



Product Code	Power	Lumen	Color Temperature	Dimensions l w h (mm)	Weight
DTY.007	30W	3600	3000-4000-6500K	261x150x56	1,25 kg
	50W	6000	3000-4000-6500K	261x150x56	1,25 kg



## CARMEN



### BODY

Aluminium injection body, electrostatic powder coated, 4mm tempered glass, Ø42-60mm adjustable console.

### LED

100.000 hours LED lifetime according to LM-80 and TM-21 report.

### DRIVER

Constant current output, With 90% efficiency, Effective power factor regulation that is not affected by fluctuations in grid voltage, ENEC certified IP67 driver.

### LENS

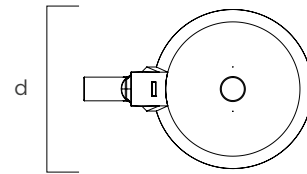
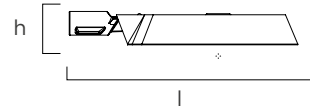
Resistant to UV rays, 93% optically efficient PMMA material lens.

### PCB

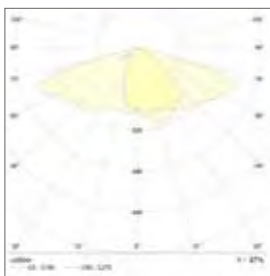
Aluminum PCB, Aluminum Base Layer / Thickness: 1L / 1.6mm. Copper Thickness: 1 OZ, HASL surface coating.

### OPTIONS

Dimmable, programmable, DALI driver, SPD, IP68 Connector.



## TECHNICAL SPECIFICATIONS



### RAL CODES

Standard	Optional	Optional
RAL 7016	RAL 9016	RAL 9022

### SYMMETRIC / ASYMMETRIC



Product Code	Power	Lumen	Color Temperature	Dimensions l d h (mm)	Weight
DTY.011	60W	7800	3000-4000-6500K	645x450x88	5,5 kg
	75W	9750	3000-4000-6500K	645x450x88	5,5 kg
	100W	13000	3000-4000-6500K	645x450x88	5,75 kg
	125W	16250	3000-4000-6500K	645x450x88	5,75 kg
	150W	19500	3000-4000-6500K	645x450x88	5,75 kg



## PETRA



### BODY

Aluminium injection body, electrostatic powder coated, 4mm tempered glass.

### LED

100.000 hours LED lifetime according to LM-80 and TM-21 report.

### DRIVER

Constant current output, With 90% efficiency, Effective power factor regulation that is not affected by fluctuations in grid voltage, ENEC certified IP67 driver.

### LENS

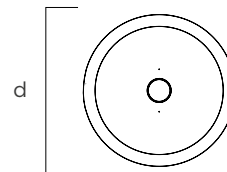
Resistant to UV rays, 93% optically efficient PMMA material lens.

### PCB

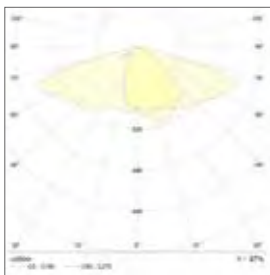
Aluminum PCB, Aluminum Base Layer / Thickness: 1L / 1.6mm. Copper Thickness: 1 OZ, HASL surface coating.

### OPTIONS

Dimmable, programmable, DALI driver, SPD, IP68 Connector.



## TECHNICAL SPECIFICATIONS



### RAL CODES

Standard	Optional	Optional
RAL 7016	RAL 9016	RAL 9022

### SYMMETRIC / ASYMMETRIC



Product Code	Power	Lumen	Color Temperature	Dimensions d h (mm)	Weight
DTY.009	60W	7800	3000-4000-6500K	Ø450x88	5,2 kg
	75W	9750	3000-4000-6500K	Ø450x88	5,2 kg
	100W	13000	3000-4000-6500K	Ø450x88	5,4 kg



## SAKURA TUNNEL LIGHTING



### BODY

Aluminium injection body, electrostatic powder coated, 4mm tempered glass, ventilation plug.

### LED

100.000 hours LED lifetime according to LM-80 and TM-21 report.

### DRIVER

Constant current output, With 90% efficiency, Effective power factor regulation that is not affected by fluctuations in grid voltage, ENEC certificated IP67 driver.

### LENS

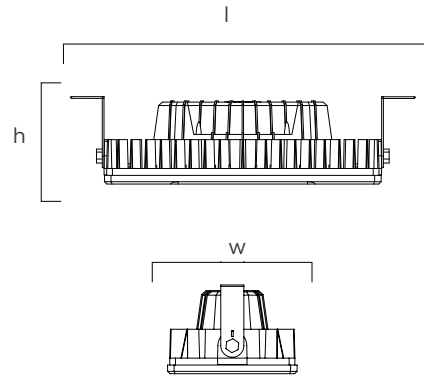
Resistant to UV rays, 93% optically efficient PMMA material lens.

### PCB

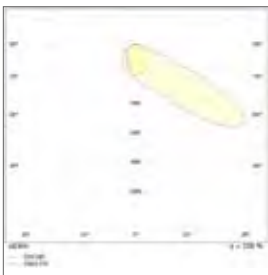
Aluminum PCB, Aluminum Base Layer / Thickness: 1L / 1.6mm. Copper Thickness: 1 OZ, HASL surface coating.

### OPTIONS

Dimmable, programmable, DALI driver, SPD, IP68 Connector.



## TECHNICAL SPECIFICATIONS



### RAL CODES

Standard	Optional	Optional
RAL 7016	RAL 9016	RAL 9022

### ASYMMETRIC



Product Code	Power	Lumen	Color Temperature	Dimensions l x w x h (mm)	Weight
DTY.012	60W	7800	3000-4000-6500K	507x224x195	8 kg
	75W	9750	3000-4000-6500K	507x224x195	8 kg
	100W	13000	3000-4000-6500K	507x224x195	8 kg
	150W	19500	3000-4000-6500K	507x224x195	8 kg
	240W	31200	3000-4000-6500K	507x224x195	8 kg
	320W	41600	3000-4000-6500K	507x224x195	8,2 kg



detay  
LIGHTING

[www.detayaydinlatma.com.tr](http://www.detayaydinlatma.com.tr)



Emek Mahallesi, Sırdaş Sokak  
No: 27/1 Sancaktepe, İstanbul/Türkiye

Phone: +90 216 602 11 41  
Export: [export@detayaydinlatma.com.tr](mailto:export@detayaydinlatma.com.tr)

**Follow us from our social media accounts**



[/detayaydinlatma](https://www.instagram.com/detayaydinlatma)



[/DetayAydinlatma](https://www.facebook.com/DetayAydinlatma)



[detaylighting](https://www.linkedin.com/company/detaylighting)