

NEW SERIES

DECORATIVE OUTDOOR LIGHTING

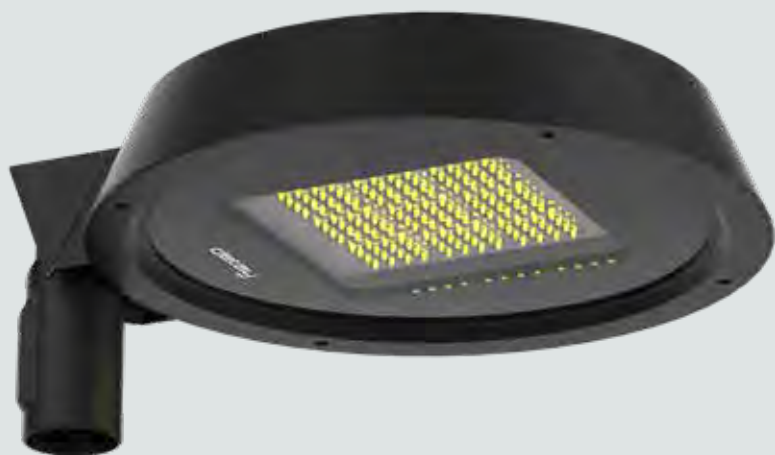


Our decorative outdoor lighting luminaire series, which is designed to meet the lighting needs of cities and open areas with aesthetic design, environmentally friendly and reducing energy costs, has been developed to beautify the city landscape and increase safety.

Developed to beautify the night atmosphere of cities and make open areas safer, these luminaires, which offer a high level of performance in terms of aesthetics, function and environmental compatibility, respond to the requirements of modern life.

CARMEN

Carmen is at the forefront of the road lighting category with its stylish and ergonomic design with its movable console. Its high luminous efficiency ensures less energy consumption and lower costs, while its long life provides savings in the long term.

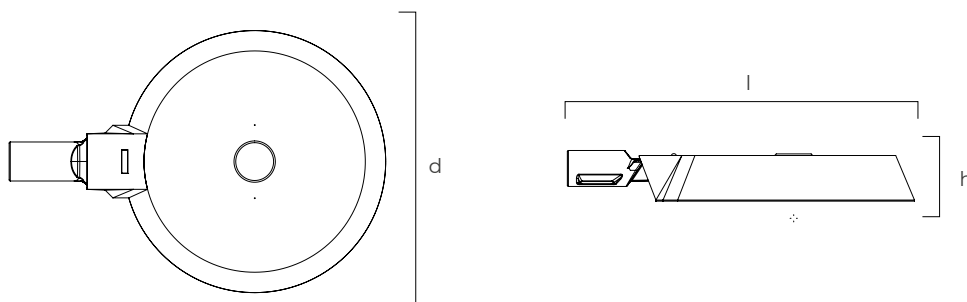


BODY

Aluminium injection body, electrostatic powder coated, 4mm tempered glass, Ø42-60mm adjustable console.

LED

100.000 hours LED lifetime according to LM-80 and TM-21 report.





RAL CODES

Standard	Optional	Optional
RAL 7016	RAL 9016	RAL 9022

SYMMETRIC / ASYMMETRIC



DRIVER

Constant current output, With 90% efficiency, Effective power factor regulation that is not affected by fluctuations in grid voltage, ENEC certified IP67 driver.

LENS

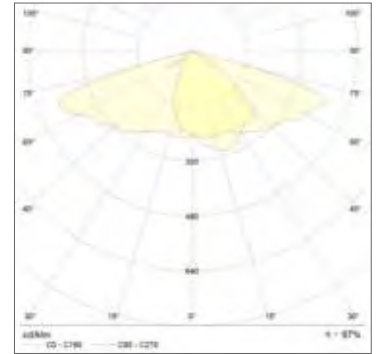
Resistant to UV rays, 93% optically efficient PMMA material lens.

PCB

Aluminum PCB, Aluminum Base Layer / Thickness: 1L / 1.6mm. Copper Thickness: 1 OZ, HASL surface coating.

OPTIONS

Dimmable, programmable, DALI driver, SPD, IP68 Connector.



Product Code	Power	Lumen	Color Temperature	Dimensions l d h (mm)	Weight	Carton Pieces	Outer Box (mm)	Outer Box Weight
DTY.011	60W	7800	3000-4000-6500K	645x450x88	5,5 kg	4	470x470x660	25 kg
	75W	9750	3000-4000-6500K	645x450x88	5,5 kg	4	470x470x660	25 kg
	100W	13000	3000-4000-6500K	645x450x88	5,75 kg	4	470x470x660	26 kg
	125W	16250	3000-4000-6500K	645x450x88	5,75 kg	4	470x470x660	26 kg
	150W	19500	3000-4000-6500K	645x450x88	5,75 kg	4	470x470x660	26 kg

PETRA

Petra is the right choice for your road lighting needs. Its stylish and ergonomic design provides ease of use and makes it aesthetically attractive.

High luminous efficiency ensures less energy consumption and lower costs, while its long life provides savings in the long term.

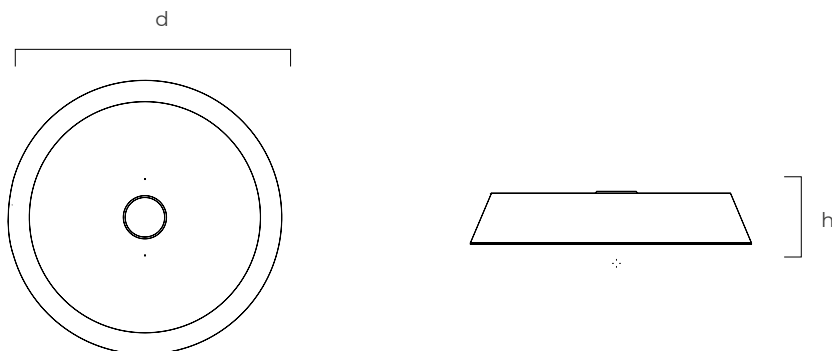


BODY

Aluminium injection body, electrostatic powder coated, 4mm tempered glass, Ø42-60mm adjustable console.

LED

100.000 hours LED lifetime according to LM-80 and TM-21 report.





RAL CODES

Standard	Optional	Optional
RAL 7016	RAL 9016	RAL 9022

SYMMETRIC / ASYMMETRIC



DRIVER

Constant current output, With 90% efficiency, Effective power factor regulation that is not affected by fluctuations in grid voltage, ENEC certified IP67 driver.

LENS

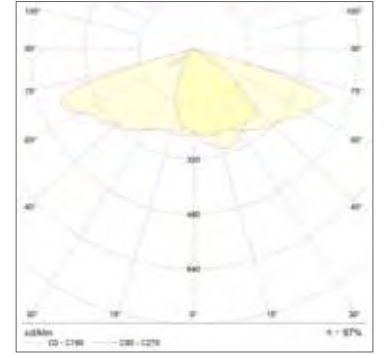
Resistant to UV rays, 93% optically efficient PMMA material lens.

PCB

Aluminum PCB, Aluminum Base Layer / Thickness: 1L / 1.6mm. Copper Thickness: 1 OZ, HASL surface coating.

OPTIONS

Dimmable, programmable, DALI driver, SPD, IP68 Connector.



Product Code	Power	Lumen	Color Temperature	Dimensions d h (mm)	Weight	Carton Pieces	Outer Box (mm)	Outer Box Weight
DTY.009	60W	7800	3000-4000-6500K	Ø450x88	5,2 kg	4	470x470x660	24 kg
	75W	9750	3000-4000-6500K	Ø450x88	5,2 kg	4	470x470x660	24 kg
	100W	13000	3000-4000-6500K	Ø450x88	5,4 kg	4	470x470x660	24,5 kg

MONA I - II

Mona, one of our modern city lighting fixtures, provides quality lighting service in parks and gardens with its modern and aesthetic structure and creates a stylish appearance.

You can use our Mona modern city lighting luminaire, which is preferred in many architectural park and garden lighting projects, for many years without any problems.



BODY

Electrostatic powder coated aluminium body, galvanised steel pole, 4mm tempered glass.

LED

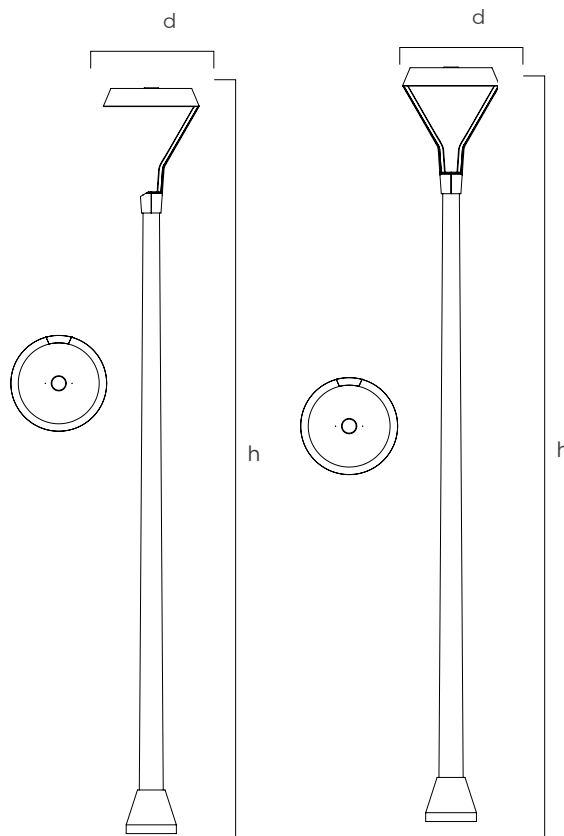
100.000 hours LED lifetime according to LM-80 and TM-21 report.

SYMMETRIC / ASYMMETRIC



RAL CODES

Standard	Optional	Optional
RAL 7016	RAL 9016	RAL 9022





DRIVER

Constant current output, With 90% efficiency, Effective power factor regulation that is not affected by fluctuations in grid voltage.

LENS

Resistant to UV rays, 93% optically efficient PMMA material lens.

PCB

Aluminum PCB, Aluminum Base Layer / Thickness: 1L / 1.6mm. Copper Thickness: 1 OZ, HASL surface coating.

OPTIONS

Programmable driver.



Product Code	Power	Lumen	Color Temperature	Dimensions d h (mm)	Weight	Carton Pieces
DTY.049	60W	7200	3000-6500K	Ø450x3500	22 kg	1

PIANA

Piana offers high level lighting performance in parks and gardens. Piana, which is preferred in many architectural park and garden lighting projects, promises trouble-free use for many years.

Known for its aesthetic design and robustness, Piana offers a long-lasting solution while adding elegance to the cityscape.



BODY

Electrostatic powder coated aluminium body, galvanised steel pole, 4mm tempered glass.

LED

100.000 hours LED lifetime according to LM-80 and TM-21 report.

DRIVER

Constant current output, With 90% efficiency, Effective power factor regulation that is not affected by fluctuations in grid voltage.

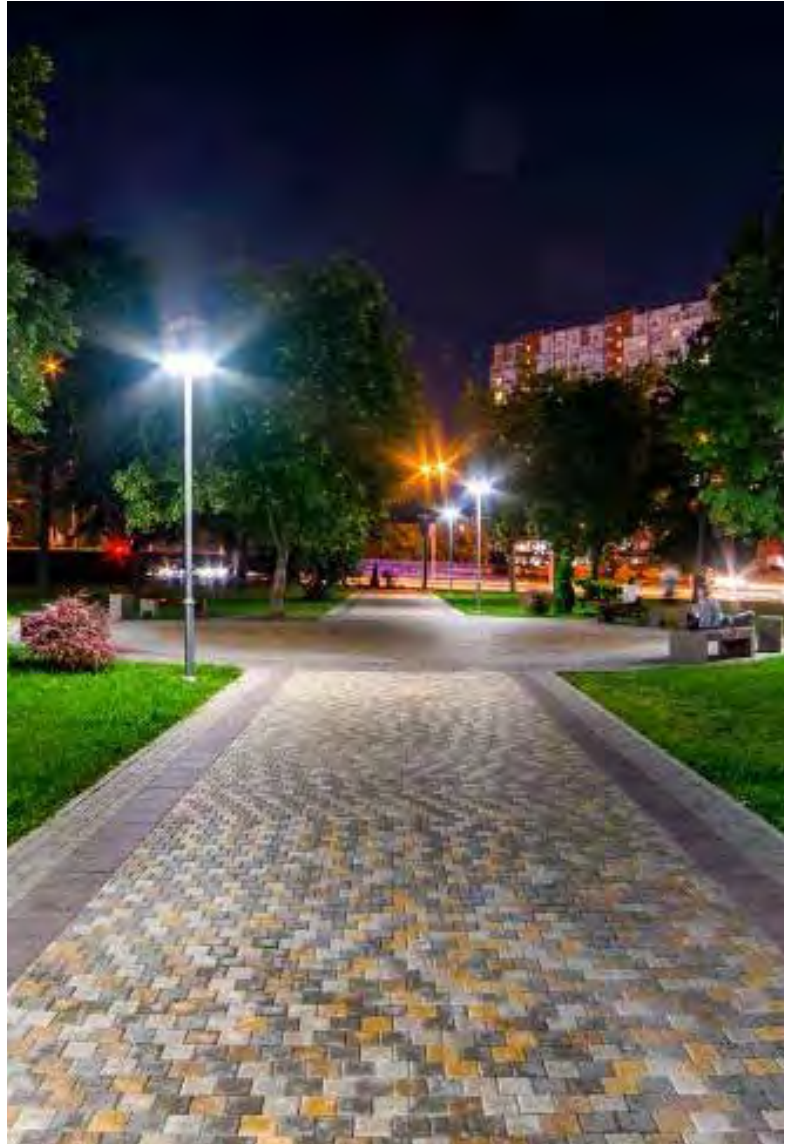
SYMMETRIC



RAL CODES

Standard	Optional	Optional
RAL 7016	RAL 9016	RAL 9022





LENS

Resistant to UV rays, 93% optically efficient PMMA material lens.

PCB

Aluminum PCB, Aluminum Base Layer / Thickness: 1L / 1.6mm. Copper Thickness: 1 OZ, HASL surface coating.

OPTIONS

Programmable driver.



Product Code	Power	Lumen	Color Temperature	Dimensions d h (mm)	Weight	Carton Pieces
DTY.051	50W	6000	3000-6500K	Ø450x3000	18 kg	1

detay
LIGHTING

www.detayaydinlatma.com.tr



Emek Mahallesi, Sırdaş Sokak
No: 27/1 Sancaktepe, İstanbul/Türkiye

Phone: +90 216 602 11 41
Export: export@detayaydinlatma.com.tr

Follow us from our social media accounts



[/detayaydinlatma](https://www.instagram.com/detayaydinlatma)



[/DetayAydinlatma](https://www.facebook.com/DetayAydinlatma)



[detaylighting](https://www.linkedin.com/company/detaylighting)